

S-II & J-II Chairs

Operating / Service Manual



IMPORTANT: *Read all instructions before assembling or using this device.*

JEDMED
An Employee-Owned Company

JEDMED Instrument Company has been in business since 1978 and is entirely employee-owned (ESOP). Our goal is to provide the best overall equipment to the medical disciplines we serve. Thank you for your support and we hope that your experience with this product will be a rewarding one which will result in a lasting relationship with JEDMED.

Your suggestions on how we can improve our products and services are always greatly appreciated. Please feel free to contact us with your thoughts. We listen.

Sincerely,

JEDMED

CONTENTS

Section	Page
OPERATING	
Precautions Key.....	4
Description.....	5
Unpacking / Assembly.....	6 - 7
Identification / Operation.....	8-13
Cleaning / Disinfection.....	14
Maintenance.....	15
Dimensions.....	16 - 17
Reorder Items.....	18
Specifications.....	19
SERVICE	
Troubleshooting.....	24
Parts Diagrams.....	back of manual
Service Procedures.....	back of manual

Note: Specifications subject to change without notice.

PRECAUTIONS KEY

The following conventions are used throughout this manual:



WARNING

ALERTS user to the possibility of ***PERSONAL INJURY***.



CAUTION

ALERTS user to the possibility of ***DAMAGE to the EQUIPMENT***.

► NOTE

ALERTS user to ***PERTINENT FACTS or CONDITIONS***.

DESCRIPTION

JEDMED S-II & J-II ENT Chairs offer flexibility and performance and were designed specifically with the otolaryngic specialist in mind. For routine examination and minor treatment in the office, these chairs are unsurpassed for integrating features, cost, and quality.

The timeless look and feel of these chairs will enhance the appearance of any exam room. Versatile color choices are available making them easy to coordinate with most any decor.

S-II chairs offer manual recline of the backrest and footrest together ("synchronized movement), which lays the chair out into a table. J-II chairs offer manual backrest recline only with a fixed position footrest.

Both chairs include synchronized armrests which lay out flat as backrest is reclined. When entering or exiting the chairs, these armrests can be conveniently rotated up and out of the way. Both chairs are available with manual or powered hydraulic lift bases which contain an integrated rotation lock.

Optional examination lights are available, as well as a pediatric booster seat, and various headrests.

S-II and J-II ENT Chairs are quality-designed and manufactured medical devices. Given reasonable care, these products will provide many years of trouble-free service.

► NOTE

Photos throughout this manual typically depict the S-II chair only, for consistency. The J-II version of the chair is similar except as indicated.

UNPACKING

IN CARTON:

1. Remove any bands and screws securing carton to skid.
2. Slowly remove carton.
3. Carefully cut stretch-wrap away from chair. Use extreme care not to damage the chair upholstery or finish. Preferably, use scissors in lieu of razor knife.
4. Unbolt chair base from skid.
5. Remove chair from skid.

OR

SHIPPED VIA MOVING COMPANY:

1. Typically, chair is shipped blanket-wrapped and set up by the shipping crew.

❖ CAUTION

Use care not to cut upholstery or scratch chair with sharp tools.

► NOTE

Any shipping damage should be documented and reported immediately to the carrier or JEDMED.

ASSEMBLY INSTRUCTIONS

ASSEMBLY:

Typically, all chairs arrive fully assembled. No on-site assembly is required other than mounting base to the floor.



WARNING

All lift bases must be bolted to floor to protect against accidental tipping.

INSTALL OPTIONS:

Options are normally supplied fully assembled and installed at the factory. If options are ordered after initial purchase, follow instructions received with each option.

IDENTIFICATION / OPERATION

Main Parts

- A. Headrest
- B. Backrest
- C. Armrest
- D. Seat
- E. Footrest
- F. Lift base



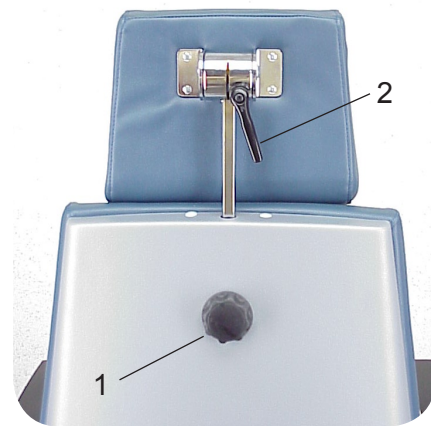
J-II Chair



S-II Chair

Chair Controls

- 1. Headrest height adjustment handwheel
- 2. Headrest tilt adjustment lever
- 3. Recline lever



Rear View



Recline Lever on both sides of seat

IDENTIFICATION / OPERATION

1. Headrest Height Adjustment

- *Unlock position by rotating handwheel counter-clockwise.
- *Raise or lower headrest to new desired position.
- *Lock position by rotating handwheel firmly clockwise.

2. Headrest Tilt Adjustment

- *Loosen by rotating lever counter-clockwise
- *Tilt headrest to desired position.
- *Tighten by rotating lever clockwise.

❖ CAUTION
Do not tighten handwheel if headrest is completely removed from chair. Damage to lock mechanism may result.

Once tight, lever may be rotated to a new position by pulling directly outward on lever near center hub. Rotate to new position and release to lock.

3. Recline Lever

- *Place hand behind backrest cushion to support patient in chair.
- *Using other hand, push down on Recline Lever.
- *Move chair backrest to desired recline position.
- *Release Recline Lever to lock backrest position.

Note: To raise a reclined patient, weight must be removed from the backrest. The gas-spring will return the backrest to the upright position.

⚠ WARNING
Do not release Recline Lever unless backrest is supported. Patient and/or user injury may result.

4. Armrests

- *Armrests are designed to lower automatically as chair is reclined.
- *Armrests may be rotated out of the way for ease of patient entry, by simply raising upward.



Rotated Armrest

IDENTIFICATION / OPERATION

Lift Base Controls
(Electric Base)

- 1. "Up" pedal
- 2. "Down" pedal
- 3. Rotation lock (lift both pedals)
- 4. Floor mounting holes



Electric Lift Base

! WARNING

All lift bases must be bolted to floor to protect against accidental tipping of chair.

Lift Base Controls
(Manual Base)

- 1. Pump bar
(Raise / Lower / Rotation lock)
- 2. Floor mounting holes



Manual Lift Base

IDENTIFICATION / OPERATION**Electric Lift Base Operation**

- *Raise base by depressing "Up" pedal.
- *Lower base by depressing "Down" pedal.
- *Lock chair rotation by firmly lifting with top of foot on both pedals simultaneously.
- *Unlock chair rotation by pressing down on one or both pedals.

**WARNING**

Possible explosion hazard if used in the presence of flammable anesthetics.

**CAUTION**

Do not lift chair top or move chair unless rotation lock is firmly locked. Doing so may lift shaft introducing air into the hydraulic lines. See Troubleshooting.

**WARNING**

Before allowing anyone to enter or exit chair, assure chair is returned to its lowest and most-upright position, and base rotation is firmly locked.

Manual Lift Base Operation

- *Raise base by repeatedly pumping downward on pump bar.
When pumping, pump each downward stroke only to the first feel of resistance. Pumping past the first stop point will open the valve to lower the chair.
- *Lower base by firmly depressing (and holding) pump bar in its lowest position.
To reach lowest position, press firmly on pump bar to pass beyond the first point of resistance.
- *Lock chair rotation by firmly lifting with top of foot on pump bar.
- *Unlock chair rotation by pressing down pump bar.

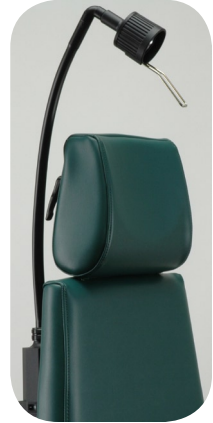
IDENTIFICATION / OPERATION

OPTIONS

Examination Light



Exam Light Kit



Light Installed

Pediatric Booster Seat



Booster In Place

Headrests



Standard Headrest



Double-articulating Headrest



Blank

CLEANING & DISINFECTING

 **WARNING**

ALWAYS unplug unit from main power outlet before cleaning, disinfecting, maintenance, or service.

Cleaning

Chairs and bases may be wiped clean using a soft cloth moistened with water and a mild detergent. Do not use excessive amounts of liquids or allow liquids to enter upholstery, lift bases, or any electrical connections. Check that system is thoroughly dry before reconnecting power.

Disinfecting

Patient contact areas should be wiped down with a cold disinfecting solution and a disposable cloth. Do not allow solution to remain on product any longer than is necessary to ensure sufficient disinfecting. Test any new disinfectants on an inconspicuous surface to check for adverse results. Follow manufacturer’s instructions for use.

 **WARNING**

ALWAYS observe “**Universal Precautions**” when handling and disposing of cleaning/disinfecting supplies used on patient contact areas.

MAINTENANCE**WARNING**

Grounding continuity should be checked periodically to insure patient and user safety.

Scheduled Maintenance

All chairs (motorized and manual) should be cycled fully up and down 8-10 times every 60 days. Even if chair is used regularly, often the working height is within a limited range. Cycling the chair through its full range will insure proper lubrication of the hydraulic piston and seals, thus maximizing the life of the base.

Moving the Chair

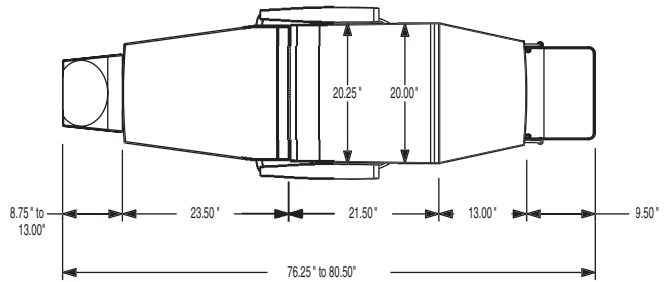
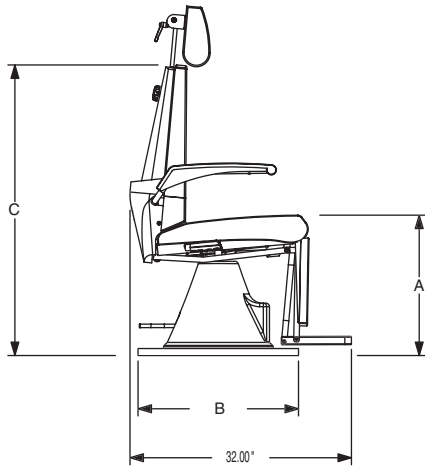
Never lift or move any chair (motorized or manual) without first lifting firmly on the pedals or lever to lock base rotation. Locking base rotation also locks the lift piston from moving. If chair is lifted when hydraulic piston is not locked, air may be introduced into the hydraulic lines. If so, the chair may slowly drift downward or feel "spongy" when returned to service. Should this occur, bleed air from the hydraulic system as described below.

Bleeding Air from Hydraulic System

1. Raise chair to its highest position.
2. Continue pumping for 10-15 seconds.
This cycles the hydraulic pump and works the air out of the system.
3. Lower chair completely.
4. Raise chair to intermediate height and test.
5. If air persists, repeat steps 1-4, as needed.

DIMENSIONS

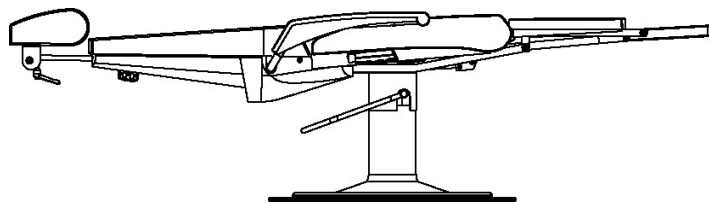
S-II Chair



04-1540
 JEDMED S-II Chair
 with Manual Pump Base
 A=19.5" to 27" B=26.75" C=41.25"

04-1545
 JEDMED S-II Chair
 with Motorized Lift Base, 110V
 A=20" to 28" B=23.00" C=41.50"

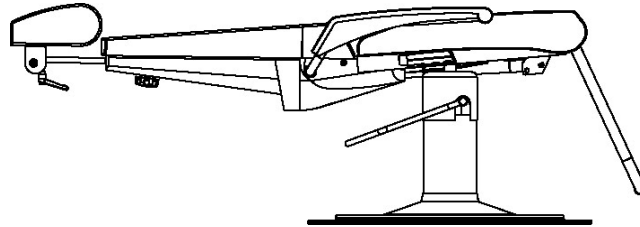
04-1547
 JEDMED S-II Chair
 with Motorized Lift Base, 220V
 A=20" to 28" B=23.00" C=41.50"



Reclined Position (S-II)

DIMENSIONS

J-II Chair



Reclined Position (J-II)

04-1550

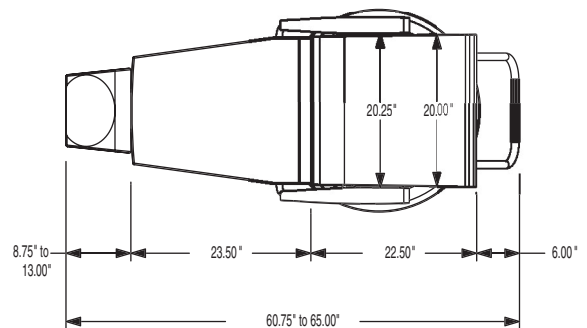
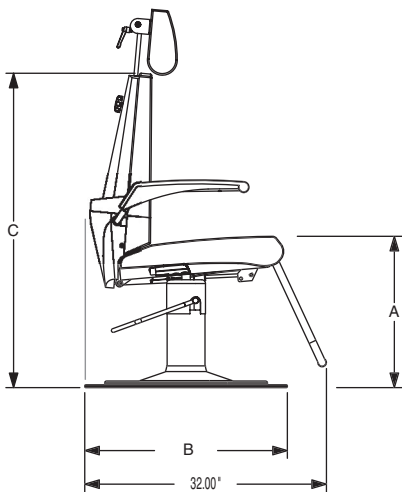
JEDMED J-II Chair
with Manual Pump Base
A=19.5" to 27" B=26.75" C=41.25"

04-1555

JEDMED J-II Chair
with Motorized Lift Base, 110V
A=20" to 28" B=23.00" C=41.50"

04-1557

JEDMED J-II Chair
with Motorized Lift Base, 220V
A=20" to 28" B=23.00" C=41.50"



REORDER ITEMS

Replacement Parts

Catalog #	Item
99-4160	Bulb (for exam light)

► NOTE
For additional replacement parts refer to the “Exploded View” drawings in this manual or call JEDMED.



Contact Information

To order consumable or replacement parts contact your Regional Sales Representative or JEDMED Customer Service at:

JEDMED

5416 JEDMED Court
St. Louis, MO 63129
(314) 845-3770 phone
(314) 845-3771 fax
e-mail: info@jedmed.com
website: www.JEDMED.com

SPECIFICATIONS

Motorized Hydraulic Base

Item #	Volts (Vac)	Max. (Amps)	Frequency (Hz)	Power Input	Notes
04-1332	115	5.4	50/60	0.2kW	Standard
04-1333	230	2.1	50/60	0.2kW	Special Order
--	100	4.7	50/60	0.2kW	Special Order

- Lifting Capacity** 350 lbs
- Base Diameter** 23 inches
- Lifting Stroke** 20 - 28.5 inches (from floor)



Motorized Lift Base

Manual Hydraulic Base

- Lifting Capacity** 350 lbs
- Base Diameter** 26.75 inches
- Lifting Stroke** 20 - 28.5 inches (from floor)



Manual Lift Base

Weight (finished chair)

Chair	Weight (lbs)	Chair	Weight (lbs)
S-II Motorized	175	J-II Motorized	160
S-II Manual	147	J-II Manual	132



Blank

**SERVICE
INFORMATION**

Blank

SERVICE INFORMATION

Service should only be performed by a qualified technician.
Contact JEDMED for further information.



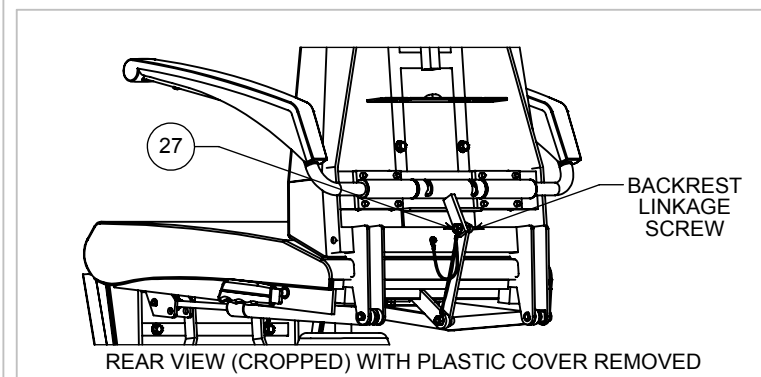
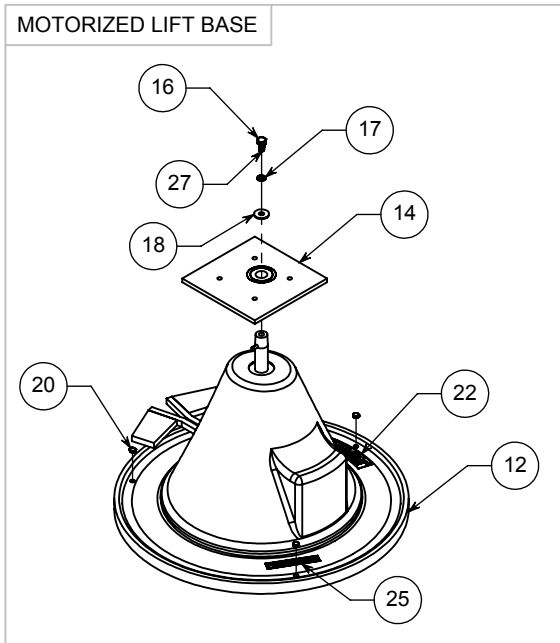
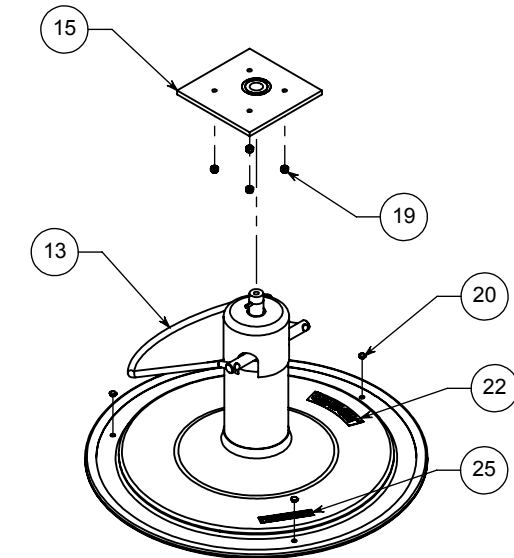
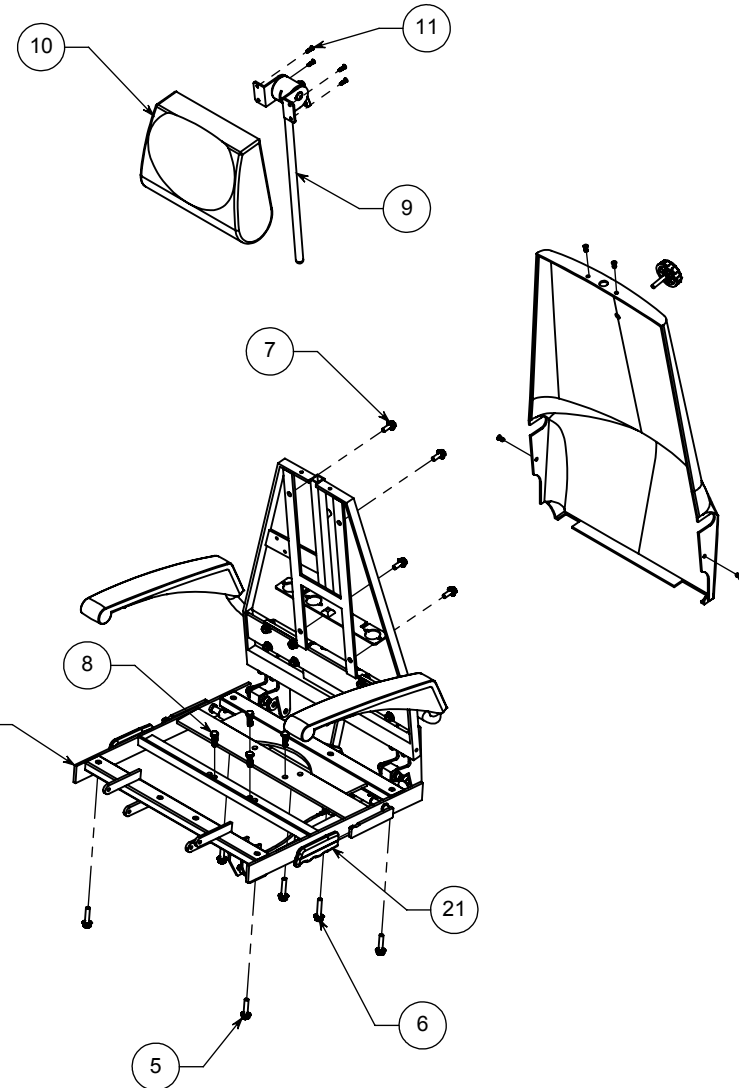
WARNING

ALWAYS unplug unit from main power outlet before cleaning, disinfecting, maintenance, or service.

TROUBLESHOOTING

Problem	Possible Cause	Solution
Chair will not lift at all (electric base).	Chair base is not plugged into a powered outlet.	Test power outlet with another device to assure power is available.
Chair is difficult to rotate.	Rotation lock is ON	Release rotation lock by depressing pump lever / footpedals.
Chair will not lower unless weight is applied.	Rotation lock mechanism mis-adjusted.	Re-adjust rotation lock mechanism. (contact JEDMED for assistance)
Brake will not lock chair rotation.	Rotation lock mechanism mis-adjusted.	Re-adjust rotation lock mechanism. (contact JEDMED for assistance)
Chair lift piston is noisy / squeals.	Lift piston requires lubrication. Rotation lock mechanism is too tight. (squeal) Entire rotation lock mechanism is loose. (chatter) Base shroud (plastic cover) is touching lift piston.	Lightly lubricate lift piston with hydraulic oil or grease. Adjust rotation lock mechanism (contact JEDMED for assistance) Tighten entire rotation lock mechanism (contact JEDMED for assistance) Re-position base shroud.
Entire lift piston comes out of chair base when chair top is lifted.	Rotation lock mechanism is not applied. Must be applied when lifting or moving chair.	Lock chair rotation (& height) by firmly lifting on pump lever / footpedals
Chair slowly loses height after weight is applied. Chair feels "spongy" when entering.	Air bubbles may have entered the hydraulic system. This may occur from lifting on chair top without having rotation lock applied.	Bleed air from hydraulic system. (see "Maintenance" section)
Chair base moves or feels unstable.	Chair base is not bolted securely to the floor.	All chair bases must be bolted securely to the floor to prevent tipping.
Chair will not lift to full height.	Hydraulic system is low on fluid.	Add hydraulic fluid to hydraulic system. (contact JEDMED for assistance)
Backrest requires assistance to return to upright position.	Gas-spring cylinder is weak or mis-adjusted.	Adjust or replace gas-spring cylinder on bottom of chair. (contact JEDMED for assistance)

J-II CHAIR

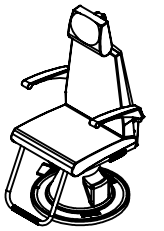


ASSEMBLY INSTRUCTIONS

1. MARK AND DRILL THE LIFT BASE MOUNTING HOLES USING A 3/8" DRILL AND TEMPLATE 502-T001 (MANUAL BASE) OR 502-T002 (MOTORIZED BASE). NOTE. LOCATE PUMP ARM OR PEDALS ON THE RIGHTHAND SIDE OF CHAIR (WHEN SEATED) 90 DEGREES FROM THE SINGLE REAR MOUNTING HOLE. ROTATE RUBBER EDGING ON THE MOTORIZED BASE SO POWER CORD COMES OUT IN BACK; HOWEVER, OFFSET IT BY 5 DEGREES SO THE MOUNTING HOLE IS NOT BLOCKED.
2. ATTACH MOUNTING PLATE TO LIFT BASE (USE CENTER BOLT FOR MOTORIZED BASE)
3. BOLT CHAIR FRAME TO MOUNTING PLATE (BEFORE ASSEMBLING MOUNTING PLATE USE A 5/8" COUNTERBORE AND REMOVE PAINT ON CHAIR FRAME AT FRONT TWO HOLES (FOR GROUNDING BENEATH BOLT HEAD) FOR MOTORIZED BASE)
4. MAKE AND INSTALL GROUND WIRE (MOTORIZED BASE ONLY, SEE PAGE 2)
5. INSTALL BACKREST LINKAGE (USE LOCTITE ON LINKAGE SCREW)
6. INSTALL SEAT CUSHION AND GAS SPRING RELEASE PLATE
7. INSTALL BACKREST CUSHION
8. INSTALL LIGHT (OPTIONAL)
9. INSTALL BACKREST PLASTIC SHROUD
10. INSTALL HEADREST
11. INSTALL LEVER GRIPS
12. TEST/ADJUST GAS-SPRING AS NECESSARY
13. INSTALL ALL LABELS



FIXED FOOTREST
WITH MANUAL LIFT BASE

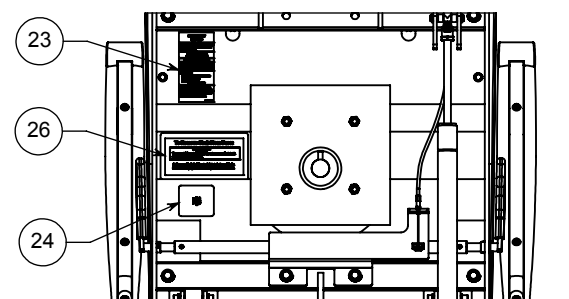


FIXED FOOTREST
WITH MOTORIZED LIFT BASE

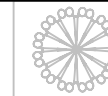
ORDER QTY.	ITEM NO.	04-1550 MANUAL	04-1555 ELECTRIC 115V	LOT NO.	PART NO.	DWG. NO.	DESCRIPTION
	28	1	1		--	PMNL084	INSTRUCTION MANUAL (NOT SHOWN)
	27	AR	AR		K601002	--	THREADLOCK: RED #271 (PERMANENT) OR EQUIVALENT
	26	-	1		--	184A-AW003	LABEL: "TO REMOVE CHAIR FROM BASE....."
	25	1	1		K701005	LAB 111	LABEL: "THIS BASE SHOULD BE SECURELY...."
	24	1	1		--	502-AW001	LABEL: SERIAL NUMBER (ALL VERSIONS)
	23	1	1		--	LAB 113	LABEL: "UNDER PENALTY OF LAW...."
	22	1	1		--	LAB 019	LABEL: "JEDMED"
	21	2	2		KA04010	--	LEVER GRIP
	20	3	3		KA01006	--	HOLE PLUG: 0.375", NICKEL PLATED STEEL
	19	4	4		K119027	--	LOCKNUT: M8 (1.25MM/THD), HX, NYLOK INSERT, Z
	18	-	1		K120032	--	FW: M10, 10.5MM ID, 30.0MM OD, ZINC
	17	-	1		K120033	--	LW: M10, SR, SS
	16	-	1		K117028	--	MS: M10 X 20MM (1.5MM/THD), HX HD, BO
	15	1	-		K300466	502-006	MOUNTING PLATE: 0°, F/ MANUAL BASE
	14	-	1		K300465	502-005	MOUNTING PLATE: 0°, F/ MOTORIZED BASE
	13	1	-		04-1330	--	LIFT BASE: MANUAL
	12	-	1		04-1332	--	LIFT BASE: ELECTRIC, 115V
	11	4	4		K117038	--	MS: M4 X 16MM, OVAL HD, PH, SS
	10	1	1		KA08018	502-004	HEADREST CUSHION F/ S-II, J-II & L (SPECIFY COLOR)
	9	1	1		K905004	--	HEADREST BRACKET
	8	4	4		K117037	--	CS: M8 X 25MM, HX HD, BLUE
	7	8	8		K117031	--	CS: M8 X 20.0MM, SERRATED FLANGE, HX, Z
	6	2	2		K117034	--	CS: M8 X 40.0MM, SERRATED FLANGE, HX, Z
	5	4	4		K117033	--	CS: M8 X 35.0MM, SERRATED FLANGE, HX, Z
	4	1	1		K905003	--	FOOT RING
	3	1	1		KA08016	502-002	BACKREST CUSHION F/ S-II, J-II & L (SPECIFY COLOR)
	2	1	1		KA08015	502-001	SEAT CUSHION F/ S-II, J-II & L (SPECIFY COLOR)
	1	1	1		K905017	--	METAL FRAMEWORK TOP COMPLETE

BILL OF MATERIALS

LABEL LOCATIONS (TYP.)



BOTTOM VIEW (CROPPED) WITH BASE REMOVED



JEDMED INSTRUMENT COMPANY
5416 JEDMED COURT
ST. LOUIS, MO 63129-2221
(314) 845-3770 FAX (314) 845-3771

--CONFIDENTIAL & PROPRIETARY--
THIS DESIGN IS THE PROPERTY OF JEDMED INSTRUMENT CO.; ANY UNAUTHORIZED REPRODUCTION OR USE IS STRICTLY PROHIBITED.

QUALITY NOTICE
ALL MATERIAL AND WORKMANSHIP TO BE SUITABLE FOR MEDICAL ENVIRONMENTS, APPLICATIONS, AND/OR EQUIPMENT WHICH MAY BE USED IN SURGERY.

MATERIAL --
FINISH --
RELEASE STAMP
DRAWN BY M. GODFREY
APPROVED BY
DATE 06-14-05
DATE

TITLE
**ASS'Y: J-II CHAIR
(ALL VERSIONS)**
DRAWING # **502-AY002**
PART # **MULTIPLE**
DIMENSIONS
 [mm] in
SHEET **1** OF **2**

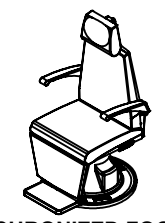
REV **0**

S-II CHAIR

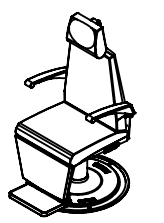
DATE	REV	ECO#/DESCRIPTION	DR	AP

ASSEMBLY INSTRUCTIONS

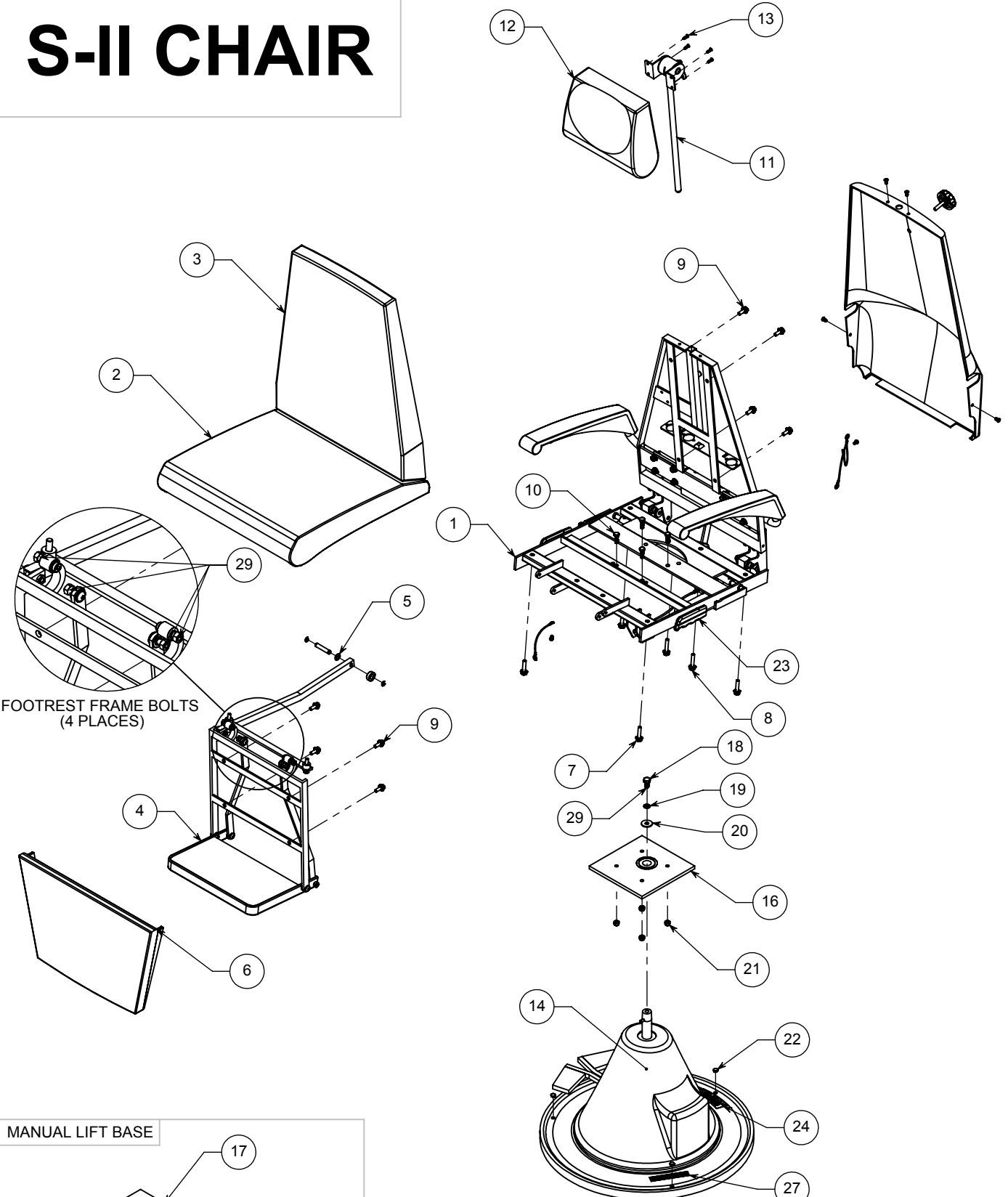
- MARK AND DRILL THE LIFT BASE MOUNTING HOLES USING A 3/8" DRILL AND TEMPLATE 502-T001 (MANUAL BASE) OR 502-T002 (MOTORIZED BASE). NOTE, LOCATE PUMP ARM OR PEDALS ON THE RIGHTHAND SIDE OF CHAIR (WHEN SEATED) 90 DEGREES FROM THE SINGLE REAR MOUNTING HOLE. ROTATE RUBBER EDGING ON THE MOTORIZED BASE SO POWER CORD COMES OUT IN BACK; HOWEVER, OFFSET IT BY 5 DEGREES SO THE MOUNTING HOLE IS NOT BLOCKED.
- ATTACH MOUNTING PLATE TO LIFT BASE (USE CENTER BOLT FOR MOTORIZED BASE)
- BOLT CHAIR FRAME TO MOUNTING PLATE (BEFORE ASSEMBLING MOUNTING PLATE USE A 5/8" COUNTERBORE AND REMOVE PAINT ON CHAIR FRAME AT FRONT TWO HOLES (FOR GROUNDING BENEATH BOLT HEAD) FOR MOTORIZED BASE)
- MAKE AND INSTALL GROUND WIRES (SEE PAGE 2)
- INSTALL BACKREST LINKAGE (USE BLUE (REMOVABLE) LOCTITE ON LINKAGE SCREW)
- INSTALL FOOTREST FRAME (USE BLUE (REMOVABLE) LOCTITE ON FRAME BOLTS)
- INSTALL LINKAGE ROD
- LAY CHAIR BACK SLIGHTLY AND SET FOOTREST BAR STOP INTO PLACE
- INSTALL SEAT CUSHION AND GAS SPRING RELEASE PLATE
- INSTALL BACKREST CUSHION
- INSTALL LEGREST CUSHION
- INSTALL LIGHT (OPTIONAL)
- INSTALL BACKREST PLASTIC SHROUD
- INSTALL HEADREST
- INSTALL LEVER GRIPS
- TEST/ADJUST GAS-SPRING AS NECESSARY
- INSTALL ALL LABELS



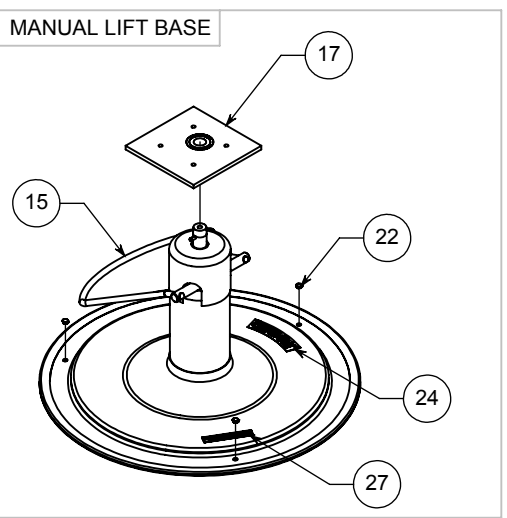
SYNCHRONIZED FOOTREST WITH MOTORIZED LIFT BASE



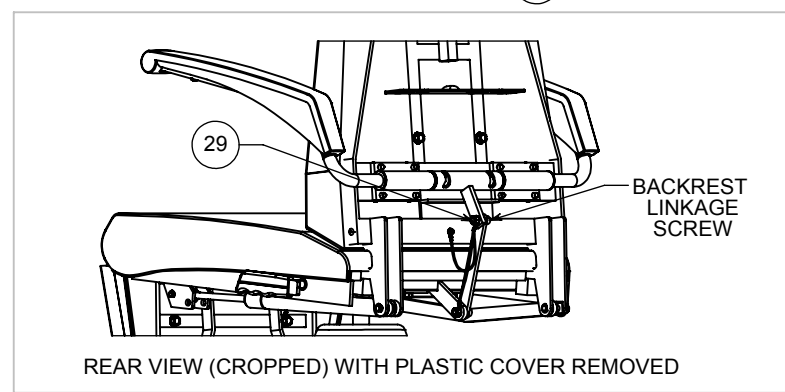
SYNCHRONIZED FOOTREST WITH MANUAL LIFT BASE



FOOTREST FRAME BOLTS (4 PLACES)

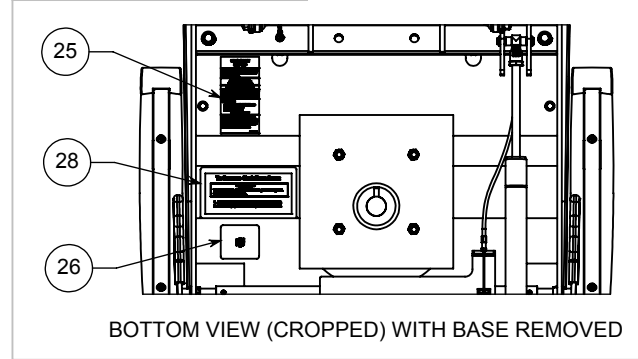


MANUAL LIFT BASE



REAR VIEW (CROPPED) WITH PLASTIC COVER REMOVED

LABEL LOCATIONS (TYP.)



BOTTOM VIEW (CROPPED) WITH BASE REMOVED

ORDER QTY.	ITEM NO.	04-1545 ELECTRIC 115V	04-1540 MANUAL	LOT NO.	PART NO.	DWG. NO.	DESCRIPTION
	30	1	1		--	PMNL084	INSTRUCTION MANUAL
	29	AR	AR		K601002	--	THREADLOCK: RED #271 (PERMANENT) OR EQUIVALENT
	28	1	-		--	184A-AW003	LABEL: "TO REMOVE CHAIR FROM BASE....."
	27	1	1		K701005	LAB 111	LABEL: "THIS BASE SHOULD BE SECURELY....."
	26	1	1		--	502-AW001	LABEL: SERIAL NUMBER (ALL VERSIONS)
	25	1	1		--	LAB 113	LABEL: "UNDER PENALTY OF LAW...."
	24	1	1		--	LAB 019	LABEL: "JEDMED"
	23	2	2		KA04010	--	LEVER GRIP
	22	3	3		KA01006	--	HOLE PLUG: 0.375", NICKEL PLATED STEEL
	21	4	4		K119027	--	LOCKNUT: M8 (1.25MM/THD), HX, NYLOK INSERT, Z
	20	1	-		K120032	--	FW: M10, 10.5MM ID, 30.0MM OD, ZINC
	19	1	-		K120033	--	LW: M10, SR, SS
	18	1	-		K117028	--	MS: M10 X 20MM (1.5MM/THD), HX HD, BO
	17	-	1		K300466	502-006	MOUNTING PLATE: 0", F/ MANUAL BASE
	16	1	-		K300465	502-005	MOUNTING PLATE: 0", F/ MOTORIZED BASE
	15	-	1		04-1330	--	LIFT BASE: MANUAL
	14	1	-		04-1332	--	LIFT BASE: ELECTRIC, 115V
	13	4	4		K117038	--	MS: M4 X 16MM, OVAL HD, PH, SS
	12	1	1		KA08018	502-004	HEADREST CUSHION F/ S-II, J-II & L (SPECIFY COLOR)
	11	1	1		K905004	--	HEADREST BRACKET
	10	4	4		K117037	--	CS: M8 X 25MM, HX HD, BLUE
	9	8	8		K117031	--	CS: M8 X 20.0MM, SERRATED FLANGE, HX, Z
	8	2	2		K117034	--	CS: M8 X 40.0MM, SERRATED FLANGE, HX, Z
	7	4	4		K117033	--	CS: M8 X 35.0MM, SERRATED FLANGE, HX, Z
	6	1	1		KA08017	502-003	LEGREST CUSHION F/ S-II, J-II & L (SPECIFY COLOR)
	5	1	1		K120041	--	FW: 0.437" ID, 0.750" OD, 0.0625" THICK, N/N
	4	1	1		K905018	--	METAL FRAMEWORK F/ FOOTREST
	3	1	1		KA08016	502-002	BACKREST CUSHION F/ S-II, J-II & L (SPECIFY COLOR)
	2	1	1		KA08015	502-001	SEAT CUSHION F/ S-II, J-II & L (SPECIFY COLOR)
	1	1	1		K905017	--	METAL FRAMEWORK TOP COMPLETE

BILL OF MATERIALS

JEDMED INSTRUMENT COMPANY
 5416 JEDMED COURT
 ST. LOUIS, MO 63129-2221
 (314) 845-3770 FAX (314) 845-3771

QUALITY NOTICE
 ALL MATERIAL AND WORKMANSHIP TO BE SUITABLE FOR MEDICAL ENVIRONMENTS, APPLICATIONS, AND/OR EQUIPMENT WHICH MAY BE USED IN SURGERY.

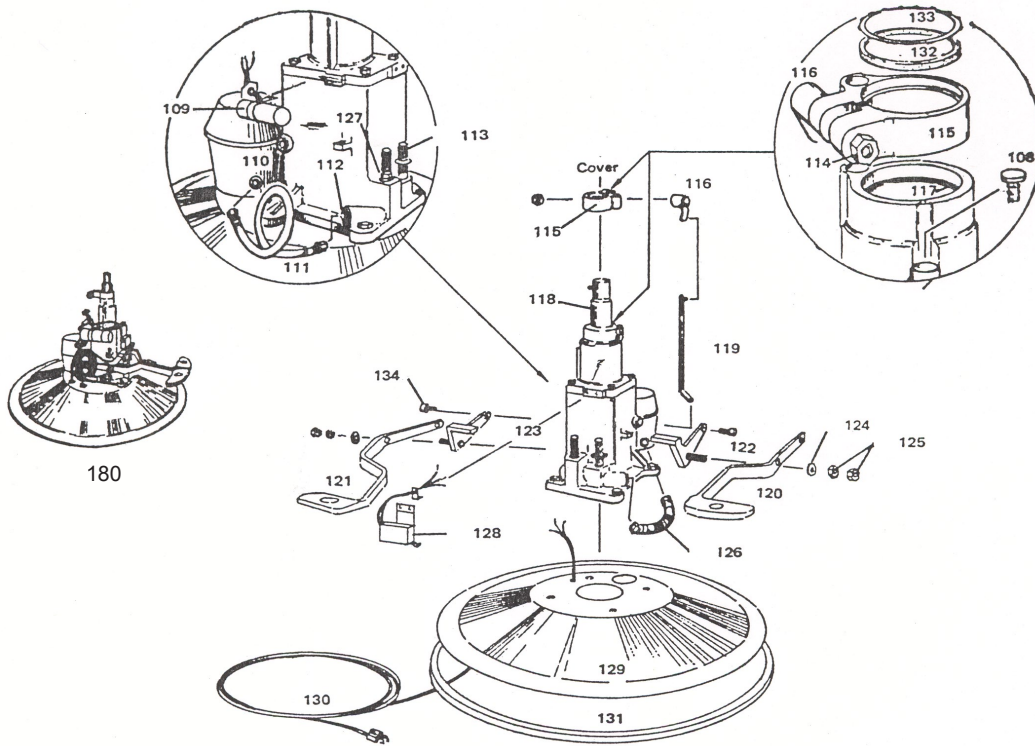
THIS DESIGN IS THE PROPERTY OF JEDMED INSTRUMENT CO.; ANY UNAUTHORIZED REPRODUCTION OR USE IS STRICTLY PROHIBITED.

CONFIDENTIAL & PROPRIETARY

MATERIAL		TITLE	
--		ASS'Y: S-II CHAIR (ALL VERSIONS)	
FINISH	SHEET SIZE	DRAWING #	REV
--	11 X 17 (B)	502-AY001	0
RELEASE STAMP	DRAWN BY	PART #	DIMENSIONS
	M. GODFREY	MULTIPLE	
	DATE		SHEET 1 OF 2
	06-14-2005		
	APPROVED BY		
	DATE		

SERVICE INFORMATION

**Parts Diagram
Motorized Lift Base (115V & 230V)**



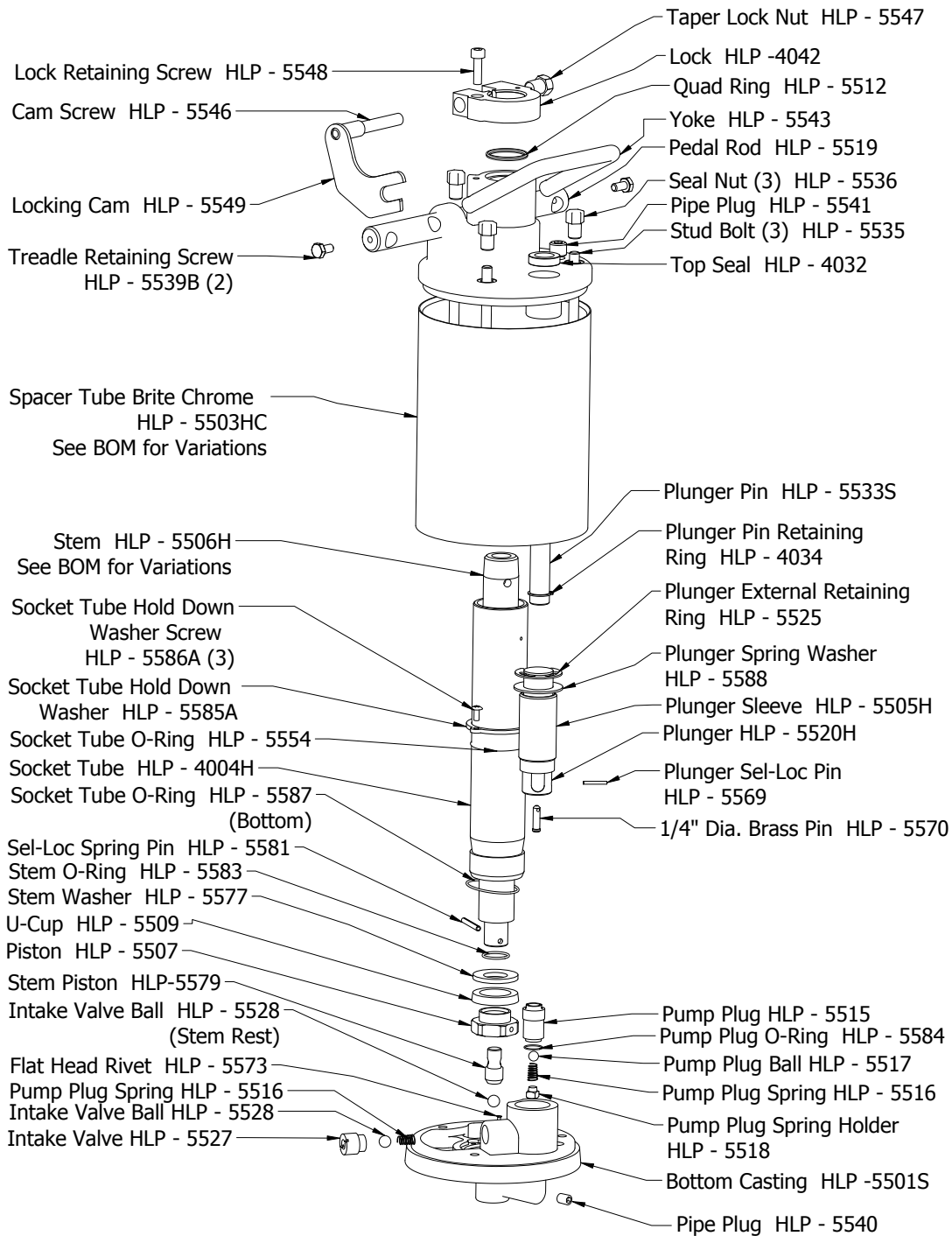
Part #	Description
107	Pump Cover (black) not shown
108	Rubber Plug (black)
109	Capacitor (condenser)*
110	Hydraulic Pump Motor*
111	Delivery Hose
112	Delivery Valve
113	Spring (for pedal)
114	Nut (lock-adjusting)
115	Lock Mechanism (cast iron)
116	Lock Lever
117	O-Ring (for shaft)
118	Pump Shaft
119	Connection Bar
120	Up Pedal (right)
121	Down Pedal (left)

Part #	Description
122	Control Lever (right)
123	Control Lever (left)
124	Washer
125	Nut
126	Intake Hose
127	Down Valve
128	Micro-Switch*
129	Chrome Base
130	Electrical Power Cord (AC)*
131	Rubber Base Ring (black)
132	Felt Washer
133	Retaining Ring
134	Socket Head Capscrew
180	Motor Base Assembly*

* SPECIFY 115V OR 230V

SERVICE INFORMATION

**Parts Diagram
Manual Lift Base**



NOTES

JEDMED

5416 JEDMED Court
St. Louis, MO 63129

(314) 845-3770 phone
(314) 845-3771 fax

e-mail: info@jedmed.com
website: www.JEDMED.com